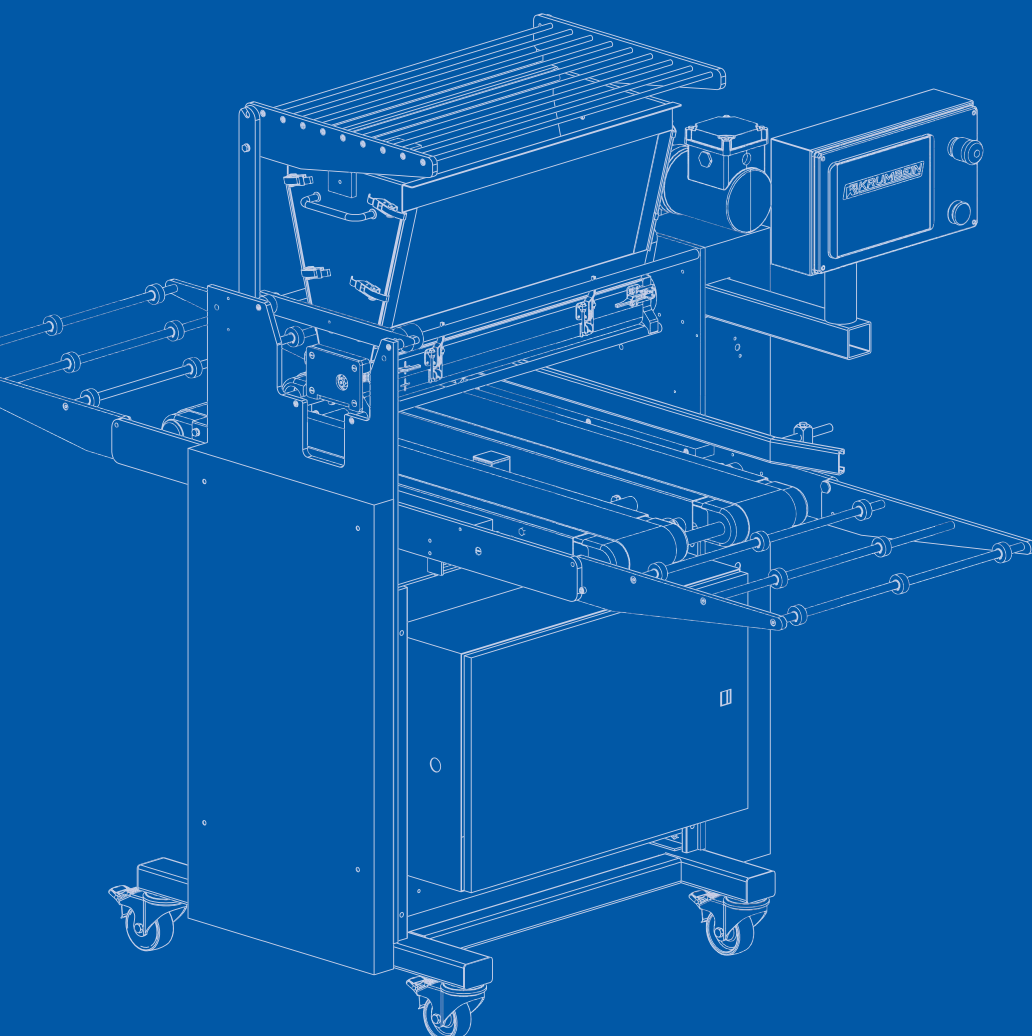


DSM 600 eco

DEPOSITING MACHINE DSM

The depositing machine for the artisan production



Effective

Flexible

Dynamic

 made
in
Germany

 *food in process*





BENEFITS

- ✓ Large product variety
- ✓ Quick product change
- ✓ Easy operation via touch display
- ✓ Gentle depositing of the mixture
- ✓ Smooth and lumpy mixtures can be processed
- ✓ Fold-out table extension for especially space saving dimensions in parking position



MAIN FEATURES

- ▶ Convenient operating concept
- ▶ Single or continuous operation
- ▶ Compact design
- ▶ Superior production output
- ▶ Diverse product range through extensive accessories
- ▶ Table lifting system
- ▶ Individual stripes and dots programs (shortbread, capsules, filling, spreading)



AVAILABLE OPTIONS

- ▶ Easily exchangeable dosing tools
- ▶ Numerous nozzles and accessories
- ▶ Anti-stick coated funnel
- ▶ Rotary nozzles system
- ▶ Funnel for multicolor use



PRODUCT GALLERY



KRUMBEIN rationell GmbH & Co. KG
Bäckerei- und Konditorei-Technik, Maschinenbau
An der Schaltstation 3b
99891 Bad Tabarz / Thüringen

Phone: +49 (0)36259 58015
E-Mail: info@krumbein-rationell.de
Web: www.krumbein-rationell.de

Distribution partners
in your region:

