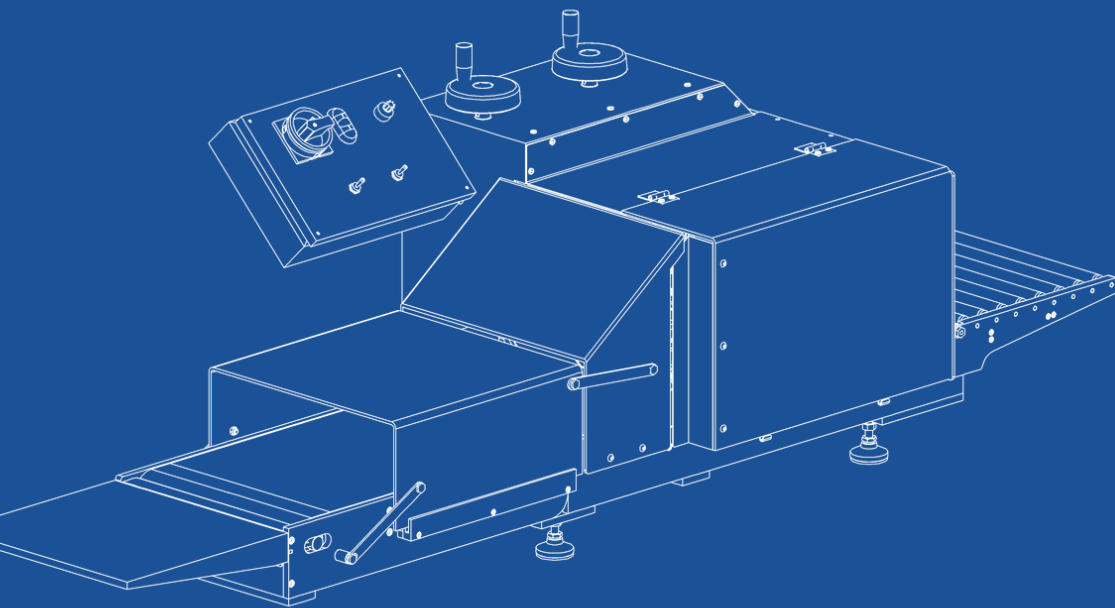




HS 300

HORIZONTAL CUTTING MACHINE

Compact cutting machine for every workbench



HS
300

quick

flexible

compact

 made
in
Germany

 **KRUMBEIN**
food in process





BENEFITS

- horizontal slice machine to slice fresh baked goods in two layers by one run
- complete cut
- compact table machine
- intuitive operation
- high productivity
- innovative KR double blade system for perfect cutting results
- cutting without risk of injury
- for products up to 300 mm width

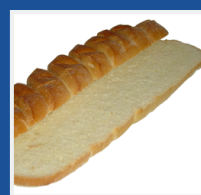
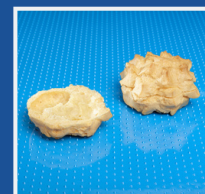


KEY FEATURES

- application in snack production and confectionery products
- ensures process-reliable work
- single-track, compact machine
- space-saving due to retractable conveyor belt
- gentle product transport
- high safety standard
- crumb tray
- max. product height 90 mm
- cutting speed, height of blade and upper belt are individually adjustable
- can be linked with the KRUMBEIN production line



PRODUCT GALLERY



KRUMBEIN rationell GmbH & Co. KG
Bakery- and confectionery machines
Mechanical engineering
An der Schaltstation 3b
99891 Bad Tabarz / Thüringen

Phone: +49 (0)36259 58015
E-mail: info@krumbein-rationell.de
Homepage: www.krumbein-rationell.de

sales partner
for your region:

