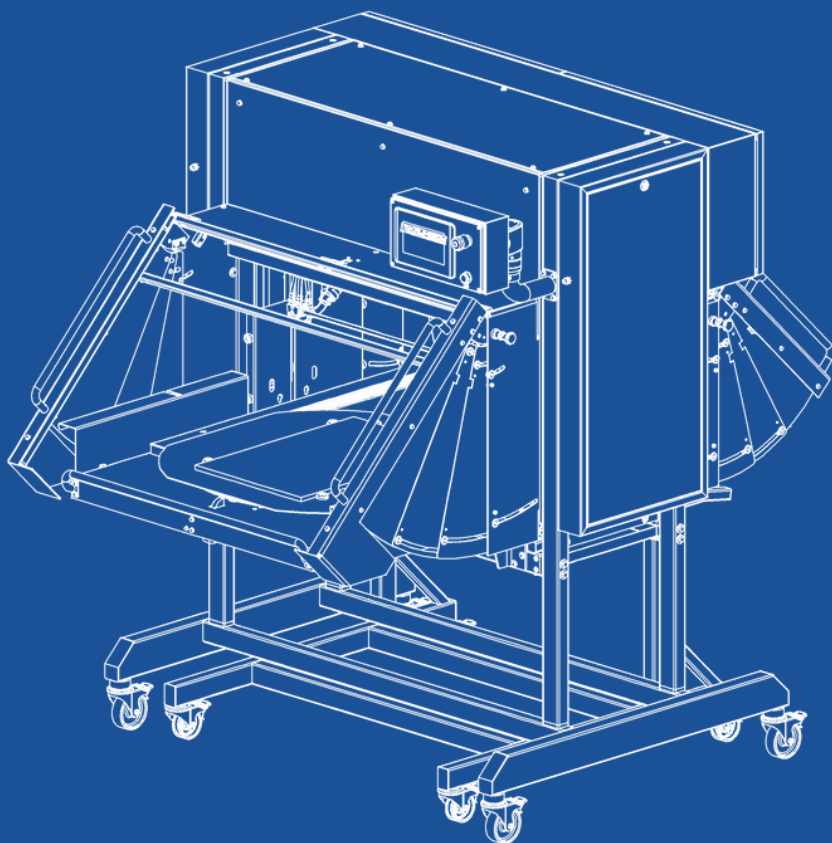




TKSM Maxi 360

ROUND CAKE CUTTING MACHINE

Cutting of products in individual formats



**MAXI
360**

precise

intuitive

automatic

 made
in
Germany

KRUMBEIN
food in process

more
informations:



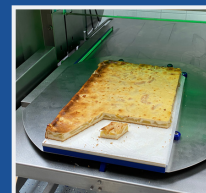


BENEFITS

- automatic rotation of the products in the cutting direction
- **rectangles, squares, triangles, rhombs**
- consistently high cutting quality
- intuitive operation via touch display
- Inductive blade heating up to approx. 150°C
- perfectly uniform pieces



PRODUCT GALLERY



KEY FEATURES

- max. product size 600x400 mm
- square products, roll, cake bars on cutting plate
- KR double blade system for perfect cutting results
- **gentle cutting of the product** due to two reciprocating thin blades
- highest safety standards due to light grid - no risk of injury
- chilled or fresh products
- also suitable for sensible products (e.g. creamy products, Sachertorte) etc.



OPTIONS

- automatic blade cleaning system (dry scraper or superheated steam)
- non-stick coated blades

KRUMBEIN rationell GmbH & Co. KG
 Bakery and confectionary machines
 Mechanical engineering
 An der Schaltstation 3b
 99891 Bad Tabarz / Thüringen

Phone: +49 (0)36259 58015
 E-mail: info@krumbein-rationell.de
 Homepage: www.krumbein-rationell.de

sales partner
 for your region:

