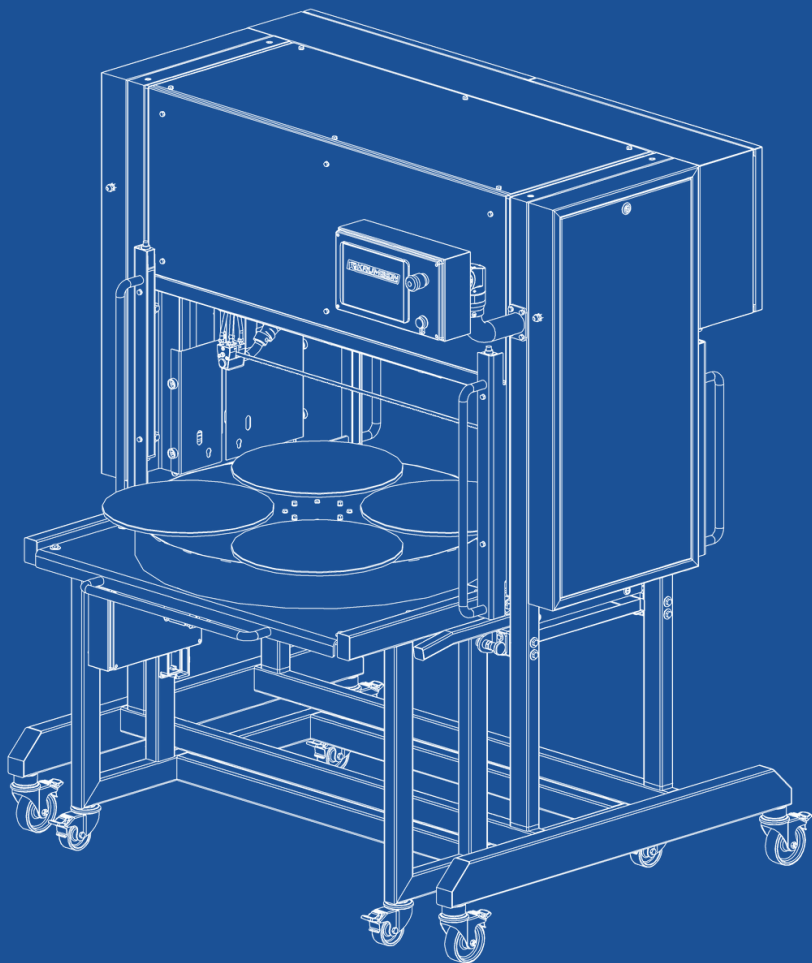




TKSM 900 Quattro

ROUND CAKE CUTTING MACHINE

High performance cutting machine for round products



QUATTRO

precise

efficient

continuous

 made
in
Germany

 **KRUMBEIN**
food in process

more
informations:





BENEFITS

- easy placing and removal of round products
- cutting and placement/removal of the products take place simultaneously
- consistently high cutting quality
- intuitive operation via touch display
- also for cakes with attached decoration
- Inductive blade heating up to 150°C
- automatic blade cleaning system
- perfectly uniform pieces



PRODUCT GALLERY



KEY FEATURES

- cut directly on cutting plate or underlay
- **chilled or fresh products**
- also suitable for sensitive products (e.g. creamy products / Sachertorte) etc.
- **KR double blade system** for precise cutting results
- gentle cutting of the product due to two reciprocating thin blades
- **easy and safe cleaning** of the machine
- highest safety standards due to light grid - no risk of injury
- mobile machine due to castors
- **optional:** automatic blade cleaning system (dry scraper or superheated steam)
- **optional:** non-stick coated blades

KRUMBEIN rationell GmbH & Co. KG

Bakery and confectionary machines
Mechanical engineering
An der Schaltstation 3b
99891 Bad Tabarz / Thüringen

Phone: +49 (0)36259 58015
E-mail: info@krumbein-rationell.de
Homepage: www.krumbein-rationell.de

sales partner
for your region:

