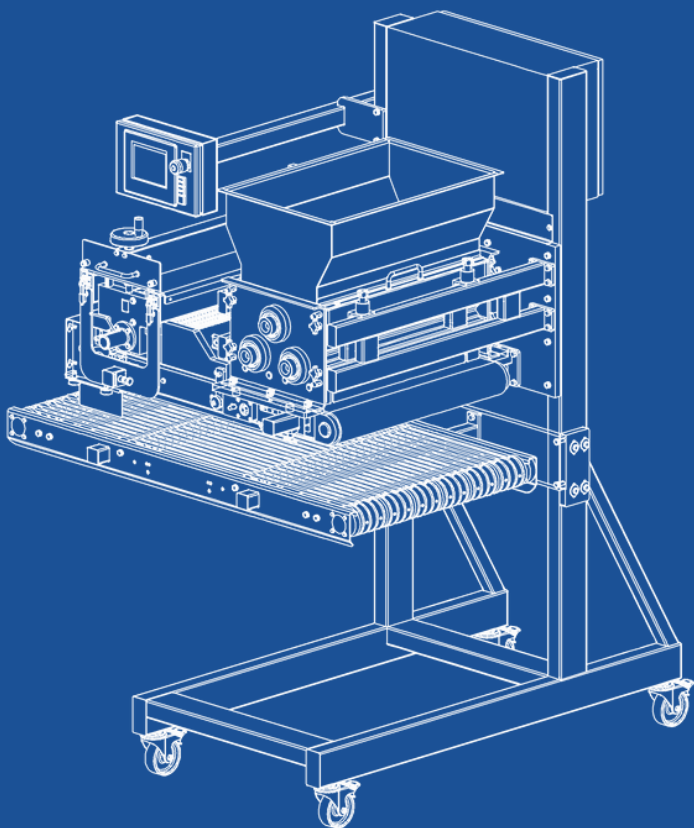




UFFS - 600

## FRUIT SPRINKLING SYSTEM

Flat application of fresh and frozen fruit



S  
F  
F  
U

*flexible*

*artisanal*

*automatically*

 made  
in  
Germany

**KRUMBEIN**  
*food in process*





## BENEFITS

- Fruit sprinkling system for spreading pourable fresh resp. frozen fruits and pieces of fruits such as cherries, apple pieces, rhubarb pieces, plums
- handcrafted spreading pattern
- even application
- simple and intuitive machine operation
- infinitely variable adjustment of the spreading intensity



## PRODUCT GALLERY



## KEY FEATURES

- automatic and even spreading of the fruit
- fast product change
- gentle processing
- sensor plate detection: automatic start-stop
- individual storage of the programmes with the respective product name
- mobile machine
- hygienic design - for intensive wet cleaning
- very easy to dismantle for cleaning - no tools required



## OPTIONS

- selectable as version with or without conveyor belt
- automatic spreading material feeding belt and laxative belt of excess spreading material available

**KRUMBEIN rationell GmbH & Co. KG**  
 Bakery- and confectionery machines  
 Mechanical engineering  
 An der Schaltstation 3b  
 99891 Bad Tabarz / Thüringen

Phone: +49 (0)36259 58015  
 E-mail: [info@krumbein-rationell.de](mailto:info@krumbein-rationell.de)  
 Homepage: [www.krumbein-rationell.de](http://www.krumbein-rationell.de)

sales partner  
 for your region:

